

Tallon Ute Rail 1200 - Installation Instructions

Step 1

Take your Tallon Ute Rail and note the 3 pre-drilled 8 mm holes.

Place the Tallon Ute Rail over the side of the canopy sill/channel and position it where you want it to be fixed.



Tallon Ute Rails with the Powered Receiver Option should be mounted so that the powered receiver is at the tailgate end.

Figure 1.

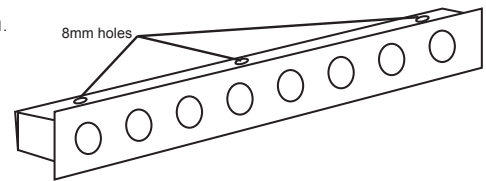
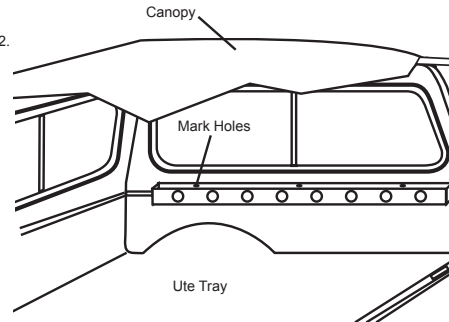


Figure 2.



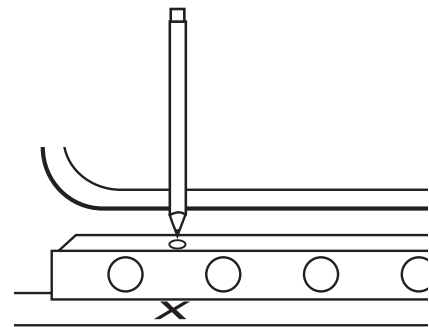
Step 2

Drop a pencil or a marker through the 8 mm holes and mark 3 drill points on the canopy sill/channel. Remove the Tallon Ute Rail and drill out the 3 holes with an 8 mm drill bit.



You may need a right-angled drill, depending on the design of your ute and canopy

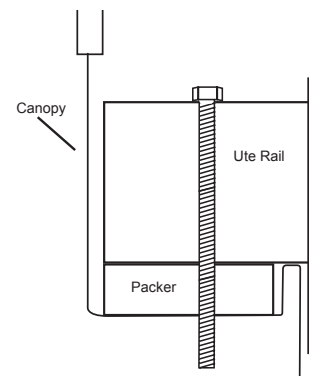
Figure 3.



Step 3

Place 12mm packers supplied into the canopy sill/channel so they will support the Tallon Ute Rail when mounted.

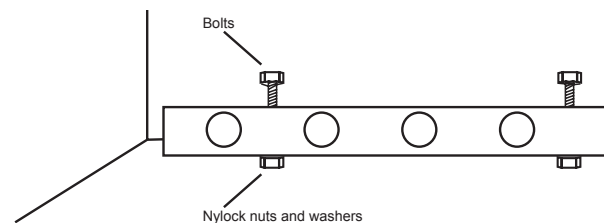
Figure 4.



Step 4

Place the Tallon Ute Rail onto the canopy sill/channel and align the 3 holes on the Tallon Ute Rail and the 3 holes

Figure 5.



Tallon Ute Rail 1500 - Installation Instructions

The Tallon Ute Rail 1500 has been designed for quick and easy installation to your flat-bed ute or ATV. To give maximum and safe performance, the Rail needs to be securely fastened to the vehicle.

Tallon recommends three options for mounting your Tallon Ute Rail 1500:

1. 8mm Bolts – the rail can be bolted to the frame/ head board. (Fig 1)
2. 5mm Rivets – the rail can be riveted directly into the frame/head board.
3. U-bolts – the rail can be secured with U-bolts around the frame. (Fig 2)

Each of these options requires holes to be drilled through the flange of the rail at the desired mounting points.

Figure 1.

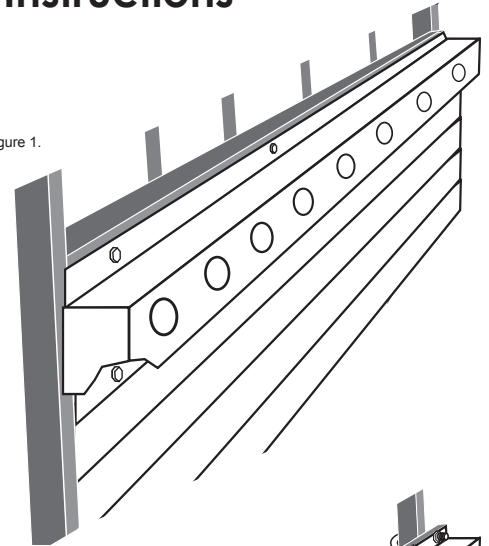
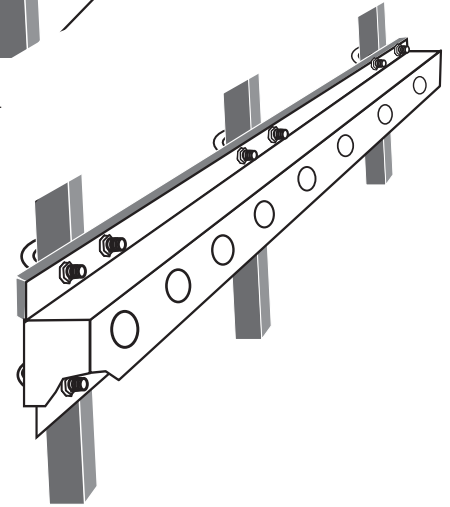


Figure 2.



Tallon™ Powered Ute Rail - Special Instructions

Tallon's Powered Ute Rail has all the strength and flexibility of a standard Ute Rail with the added capability of supplying power to accessories with the use of the Tallon™ Power Connector.



It is safe to use Tallon™ Stainless Accessories in a Powered Receiver.

Wiring

Operating Voltage: Suitable for 12 or 24V DC systems

The Tallon™ Systems Powered Receiver is polarity conscious. Reverse polarity will not damage the Receiver but will inhibit its function. Tallon™ Systems recommends wire connections be soldered with heat shrink tubing applied to seal the joint.

Wire Colour	Connect To
Black	Negative (-ve)
Red	Signal (+ve)



Always consult a specialist if you are unsure about wiring the powered receiver.



Made in New Zealand  **NEWZEALAND™**

Patents Pending - see www.tallonsystems.com for details

www.tallonsystems.com